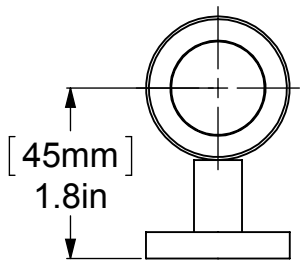
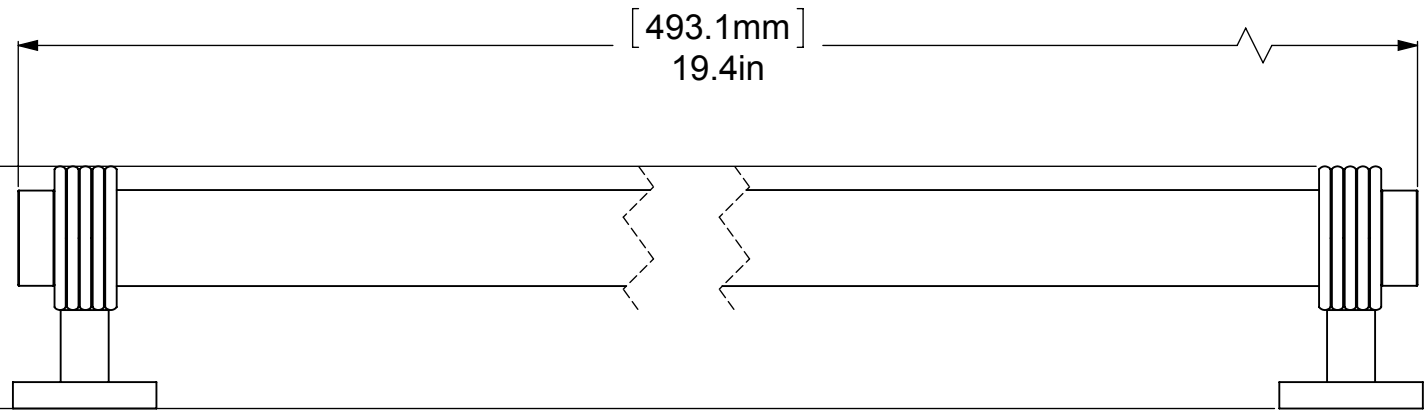
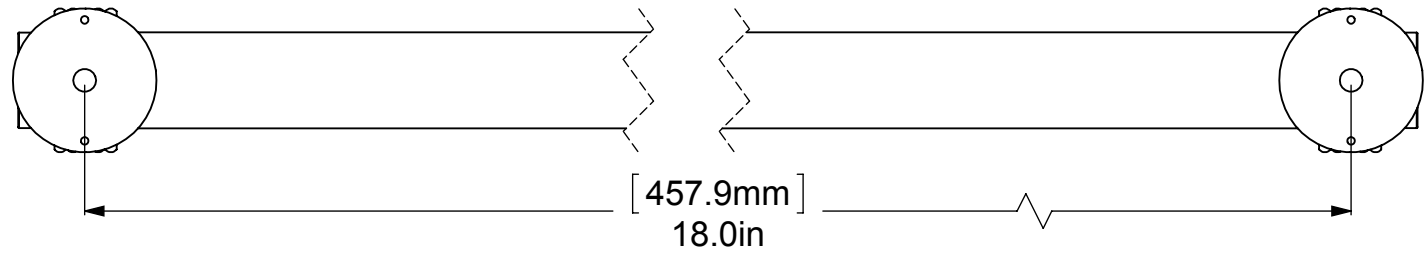
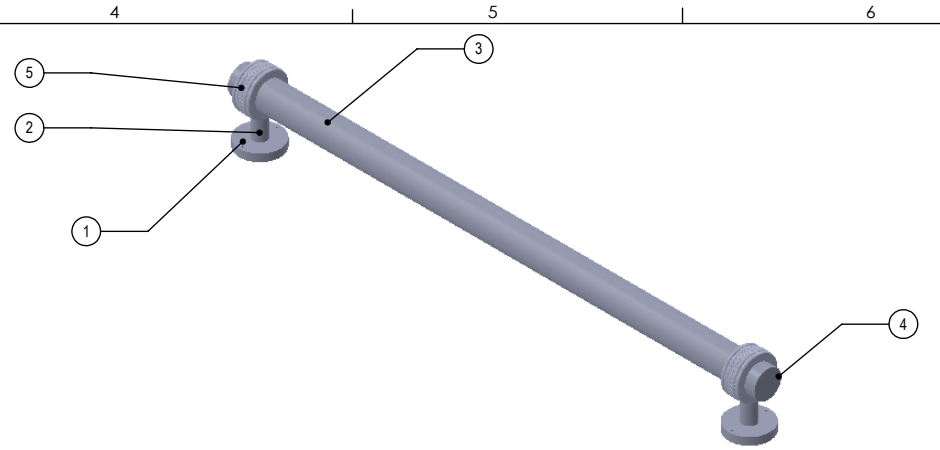


ITEM NO.	PART NUMBER	DESCRIPTION	QTY.
1	LP Casting	BASE	2
2	TU12-0.75	NECK	2
3	TU1-17.4	TUBE	1
4	Card-1	END LOCK	2
5	RGGVT	CONNECTOR	2

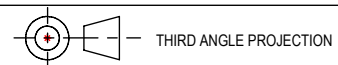


**APPROVED FOR PRODUCTION**  
 By: RICHARD PAUL  
 Date: 6-2-2021

UNLESS OTHERWISE STATED

.X	±.3mm
.XX	±.15mm
.XXX	±.008mm

COPYRIGHT © Allied Brass 2021



DRAWN	5-31-21	I.M
CHECKED	5-31-21	P.D
APPROVED	5-31-21	R.A

MATERIAL: BRASS  
 DESCRIPTION: 18 Inch Refrigerator Pull

FINISH	TBD
QUANTITY	TBD
DRAWING No.	REV
402G-RP	0
SCALE	SHEET: 01
1:2	A4